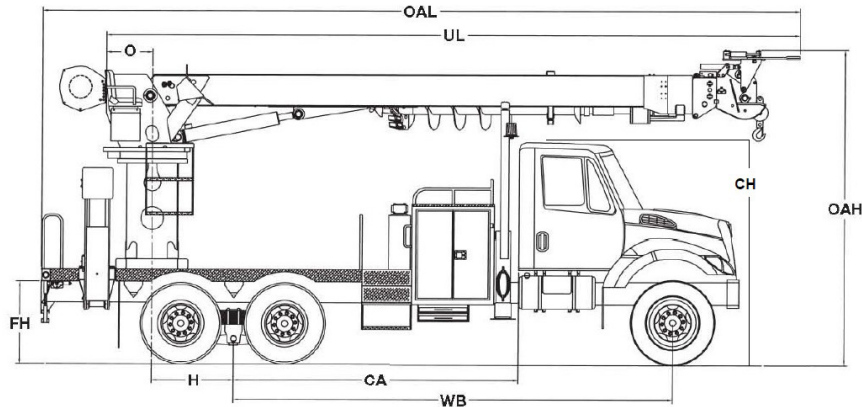


DIGGER DERRICK

Terex® Telelect Digger Derricks are known throughout the industry. They come with a long history featuring quality and innovative design.

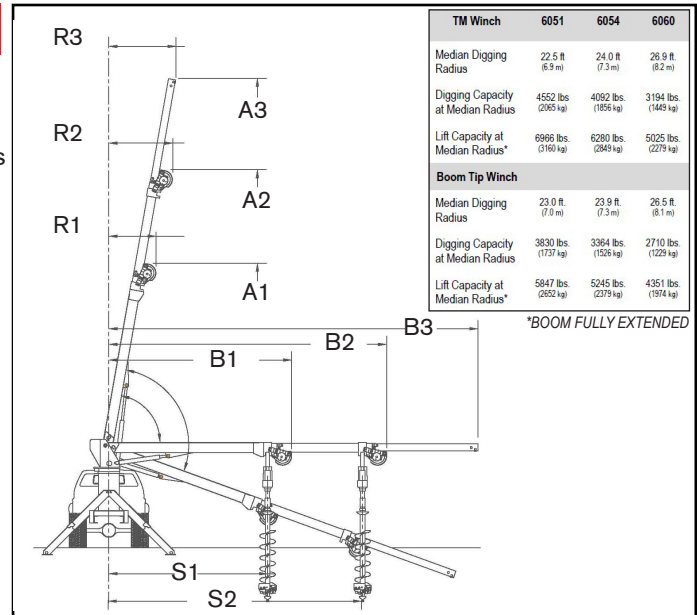


Measurements	Commander 6054	Commander 6060
<i>(Minimum Recommendations)</i>	ORA	ORA
Typical Frame Height (FH)	40 in. (101.6 cm)	40 in. (101.6 cm)
Typical Cab Height (CH)	112 in. (284.5 cm)	112 in. (284.5 cm)
Offset (O)	44.62 in. (113.3 cm)	44.62 in. (113.3 cm)
Overall Height (OAH)	12' 8" (3.9 m)	12' 8" (3.9 m)
Overall Length (OAL)	28' 7" (8.7 m)	30' 7" (9.3 m)
Unit Length (UL)	26' 0" (7.9 m)	28' 0" (8.5 m)
Center of Rotation (H)	39.5 in. (100.3 cm)	39.5 in. (100.3 cm)
Cab to Axle (CA)	120 in. (304.8 cm)	138 in. (350.5 cm)
Wheel Base (WB)	192 in. (487.7 cm)	210 in. (533 cm)
Front Axle (FA)	12,000 lb. (5,443 kg)	12,000 lb. (5,443 kg)
Rear Axle (RA)	34,000 lbs. (15,422 kg)	34,000 lbs. (15,422 kg)
Gross Vehicle Weight Rating (GVWR)	46,000 lbs. (20,865 kg)	46,000 lbs. (20,865 kg)
Recommended Weight for Stability	35,000 lbs. (15,876 kg)	35,000 lbs. (15,876 kg)
Frame Section Modulus	18.0 in ³	18.0 in ³
Frame Yield Strength	50,000 psi	50,000 psi
Frame RBM	900,000 in-lbs	900,000 in-lbs

COMMANDER 6000 SERIES

STANDARD EQUIPMENT

- 100 Degrees of Boom Travel (+80 to -20)
- Dual Lift Cylinders
- Self-Aligning Swivel Ball Bushings
- Rectangular, Bi-Axial Epoxy Resin, Filament Wound Fiberglass Booms
- Box Fabricated Steel Lower Boom and Intermediate
- Hydraulic Boom Extension Intermediate & Upper
- Full Pressure Hydraulic Controls
- Full Pressure, Open-Center Hydraulic System
- 50 Gallon Hydraulic Oil Reservoir
- Custom Made Zoned Load Chart
- Continuous Unrestricted Rotation
- 15,000 lb. Turntable Winch
- Meets or Exceeds ANSI A10.31
- Transferable Pole Flanges
- Planetary Slip Brake Rotation
- Dual Handle Rack Controls
- Load Moment Limiter
- Boom Angle Indicator
- Outrigger Interlock
- Moving Outrigger Alarm
- Truck Level Indicator



CAPACITIES & DIMENSIONAL DATA (Based on a 40 inch Frame Height)

Model	Maximum Capacity	Capacity @ 10 ft. Radius	Sheave Height			Load Radius			Horizontal Reach			Digging Radius	
			A1	A2	A3	R1	R2	R3	B1	B2	B3	S1	S2
CMDR 6054	42,570 lb (19,309 kg)	18,500 lb (8,391 kg)	32.4 ft (9.9 m)	43.2 ft (13.2 m)	54.1 ft (16.5 m)	3.7 ft (1.1 m)	5.6 ft (1.7 m)	7.6 ft (2.3 m)	22.3 ft (8.8 m)	33.3 ft (10.0 m)	44.3 ft (13.5 m)	19.3 ft (5.9 m)	30.3 ft (7.5 m)
CMDR 6060	30,000 lb (13,608 kg)	15,350 lb (6,963 kg)	34.4 ft (10.5 m)	47.2 ft (14.4 m)	60.0 ft (18.3 m)	4.0 ft (1.2 m)	6.3 ft (1.9 m)	8.6 ft (2.6 m)	24.3 ft (7.4 m)	37.3 ft (11.4 m)	50.3 ft (15.3 m)	21.3 ft (6.5 m)	34.3 ft (10.5 m)

OPTIONAL EQUIPMENT

- Various Digger / Augers
 - Auger Storage Left Side (Typical)
 - Auger Storage Right Side (Subject to Configuration)
- Fiberglass Personnel Platform
 - Liners with or Without Steps
 - Full Pressure Upper Controls
- Various Types of Controls
 - Command Post Operator Controls
 - Radio Remote Controls
 - Single Stick "T" Controls
- Engine Stop/Start and Throttle Advance at Top Controls
- Engine Stop/Start at Lower Controls
- Various Types of Throttle Advance at Lower Controls
- Material Handling Jibs
- Transferable Pole Flanges
- Various Sizes of Pole Guides
- Pole Guide Interlock
- Hydraulic Tool Outlets
- Pole Puller
- Multi-Part line Components
- Boom Storage Warning Light
- Outrigger Sag Light
- Various Types of Outriggers
- Truck Grounding Cable & Clamp